



# The WIBOjekt® workbench



# Taking care.

Increased protection for employees and the surrounding area.



## Our expertise for your safety

Nowadays, companies, laboratories, institutes and universities from the most varied industrial and scientific sectors work with materials that can be harmful to health. Anywhere where employees and areas need to be protected against released product dusts and gases, you are safe with equipment from the WIBOjekt® range. Our innovative air curtain technology is suitable for a wide variety of applications.

## Place your trust in our expertise

Workstations and systems where risks can occur must be both functional and cost-effective. As a company with decades of experience, our experts at Weiss Pharmatechnik develop efficient, individual and favourably priced solutions, in close collaboration with you, our customer. Place your trust in our extensive knowledge.

## Perfect quality

We know what is important when it comes to the subject of safety: stable and reliable protection. After all, even the smallest quantity of steam or dust emitted can endanger the health of employees. We therefore construct our WIBOjekt® workbenches in such a way that maximum safety is ensured. We only process high quality materials and carry out regular quality controls, which accompany the production process from start to finish.

## Individual solutions

No two WIBOjekt® workstations are the same. Each of our standard devices is individually adapted to the customer's requirements. Our experts pay attention to the safety and economic efficiency of your system here. They establish what is important to you. All of our individually adapted items of equipment do, of course, fulfil all of the necessary legal requirements.

## Suitable for all sectors

- Chemical and pharmaceutical industry
- Cosmetics and food industry
- Laboratories, institutes, universities
- Hospitals, pathologies and medical engineering
- Optical and electronics industry
- Automotive
- Nanotechnology
- Micromechanics and system engineering



## Benefits of the WIBOjekt® system

- Reliable protection of persons
- Safety and economic efficiency
- Individual customer solutions
- Comprehensive services

# A safe bet.

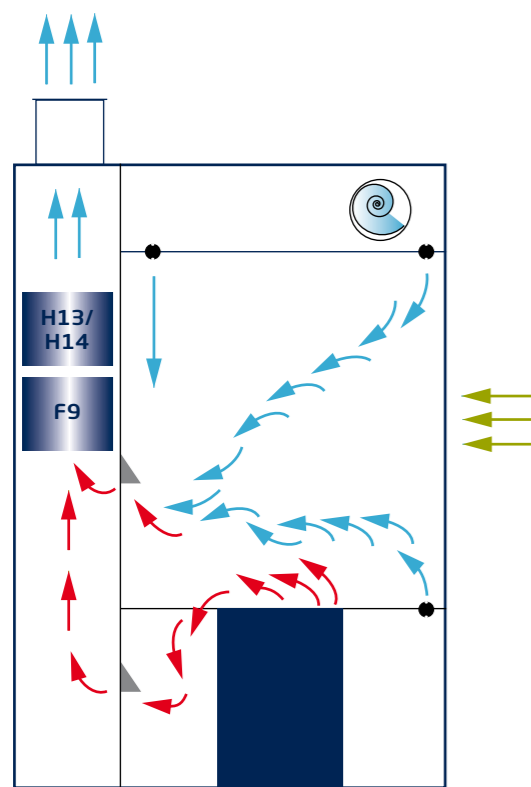
The innovative air curtain technology of the WIBOjekt® workbench.

## Protection of persons



### • Protection of persons and areas

Harmful vapours, aerosols and dusts are dissipated safely.



### The WIBOjekt® principle

The specially shaped and perfectly arranged WIBO® ejector nozzles are coupled with stabilisers to ensure a safe clean air curtain, which shields the working area from the surrounding area in a targeted manner. The air which flows through the outlets captures pollutants such as airborne product particles or gases and guides these to the suctioning device. By doing this, the WIBOjekt® air flow control principle guarantees optimal protection of persons and areas.

### Stable protection

The WIBO® ejector nozzles are perfectly attuned to one another in terms of their configuration, shape and direction, as well as their air speed and air quantities. This produces an optimum flow picture that is needs-based. The clean air curtain therefore remains largely stable if the employee reaches through it. Emergent substances do not escape into the environment.

### Efficient and economical

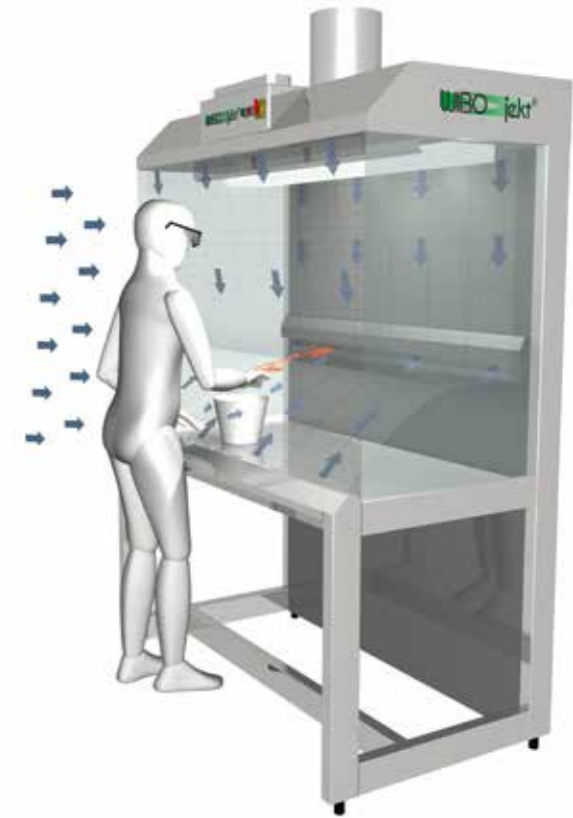
Although workbenches with the WIBOjekt® system are especially efficient, they require considerably smaller quantities of discharge air compared with traditional suction devices. This means that you not only save on energy and protect the environment, but you also reduce your operating expenses.

### All standards fulfilled

The WIBOjekt® workbench corresponds with the requirements of the maximum allowable concentration (MAC) stipulated in the Gefahrstoffverordnung (GefStoffV) [Ordinance on Hazardous Substances]. This value determines at which average concentration a substance in the air in the workstation is not expected to pose acute or chronic damage to health, weighted according to time.

### Areas of application

The WIBOjekt® system is suitable for many different types of work such as emptying and filling, weighing, cleaning, cutting work, assembly, soldering and general laboratory activities. WIBOjekt® equipment is available in different configurations, depending on requirements and areas of application. All models in this range are oriented to working in an ergonomic manner.



### Optimal protection of persons and areas thanks to

- Ejector nozzles that are attuned to one another
- Dissipation of airborne particles and gases
- Stable clean air curtain
- Targeted capturing of pollutants
- Robust retention ability in accordance with DIN EN 14175-3

# WIBOjekt® workbench - Basic version.

Ideal protection of persons and areas thanks to targeted capturing of pollutants.



In the basic version, the WIBOjekt® workbench, type TCRJO, offers you flexible fields of application. The flow-guided air flow control principle reliably prevents product turbulence. The special shape and arrangement of the WIBO® ejector nozzles give the clean air curtain stable air flow control and robust retention power. All WIBOjekt® workbenches can be individually designed in terms of dimensions and equipment.

## Standard equipment

The ejector ventilator is located in the hood. This supplies the ejector nozzles on the hood edge, back panel and front edge of the bench with fresh air. Suction outlets in the back panel dispose of any air that has been polluted. The WIBOjekt® workbench is designed to carry out work ergonomically. All lateral parts are made from stainless steel sandwich panels. Alternatively, panels made from laminated safety glass or PVC strip curtains can be used. You receive the platform in a bench configuration.

## Options

Weiss Pharmatechnik offers you a large number of options that can be individually configured for the WIBOjekt® workbench. Two-tier filters (F9/H13 or H14), rotary filters or activated carbon filters can therefore be integrated into the back panel. Loading of the filters is indicated by the dial-gauge manometer. The filter is changed by simply removing the back panel elements. Supply and discharge air can be monitored using differential pressure sensors, if required.

Sockets, utilities, monitors and IT interfaces can be integrated into the back panel. The working area is made from smooth stainless steel throughout and is easy to clean. Other materials such as plastic, ceramic or glass etc. are available upon request. You also have the option of integrating sinks, funnels, waste disposals, weighing stones or perforated metal plates.

Floor units, swing doors, shelves and much more can be easily added. Additionally, a barrel holder, shelves, lifting and pumping systems as well as dosing and filling stations can be integrated. In terms of material, you can choose between stainless steel 1.4301, 1.4571, 1.4404 or plastic. The WIBOjekt® workbench TCRJO can also be configured in compliance with ATEX.

Further options are possible. We are happy to advise you in this regard.

## Individual configurations

At Weiss Pharmatechnik, there is no standard WIBOjekt® workbench. All of our innovative solutions are adapted by us in accordance with customer requirements.

# WIBOjekt® workbench GMP.

Ideal protection of persons and areas for carrying out work under clean room conditions.



The WIBOjekt® workbench, type TGRJO, is designed in compliance with GMP and is suitable for installation in clean rooms. All system parts are designed in such a way that there is very little dead space and they are easy to clean. The system can be used in a versatile manner, such as for weighing, emptying and filling powders and liquids or dust-like products in the laboratory. Further application options are possible.

## Standard equipment

The ejector ventilator is located in the hood. This supplies the ejector nozzles on the hood edge, back panel and front edge of the bench with fresh air. Suction outlets are located in the back panel for disposal of any air that has been polluted. The WIBOjekt® workbench is designed to carry out work ergonomically and has a working area made from stainless steel in the GMP configuration. The lateral parts are made from stainless steel sandwich panels. Alternatively, panels made from laminated safety glass can be used. You receive the platform in a bench configuration.

## Options

Weiss Pharmatechnik offers you a large number of extensions and options that can be individually configured for the WIBOjekt® workbench GMP. Two-tier filters (F9/H13 or H14) can therefore be integrated into the back panel. The filters are accessible from the working area and can be changed with very little contamination (bag in/bag out). The supply and discharge air can be monitored using differential pressure sensors.

Sockets, utilities, monitors and IT interfaces can be integrated into the back panel, if desired. The working area is made from smooth stainless steel throughout and is easy to clean. You also have the option of integrating sinks, funnels, waste disposals, weighing stones or perforated metal plates.

Laboratory equipment, floor units, swing doors and shelves can be added without problems. What is more, there is the option of integrating a barrel holder.

In terms of material, you can choose between stainless steel 1.4301, 1.4571 or 1.4404. The WIBOjekt® workbench GMP can also be configured in compliance with ATEX.

Further options are possible. We are happy to advise you in this regard.

## Customer-specific solutions

Our experts are happy to adapt the WIBOjekt® workbench, type TGRJO, to your production-specific requirements.

# WIBOjekt® chemical emptying station.

## Safe handling during disposal.

Stringent safety measures are required when consciously handling chemicals such as solvents, acids and alkaline solutions in laboratories and the chemical-pharmaceutical industry. Emptying, filling and transporting containers with hazardous waste products to the collection stations is often risky. Suitable options for disposal are often lacking. The WIBOjekt® emptying workstation solves this problem in a simple way. It offers comprehensive protection for your employees and the environment and allows flexible handling. Safety when handling harmful substances is guaranteed by two items of equipment that are attuned to one another.

### Decentralised collection

Our collection trolleys make it possible for your employees to safely empty old chemicals at decentralised sites. In order to do this, the trolley is simply pushed up to the respective workstations in the laboratories, connected to the chemical collection container there and the contents safely pumped out. In contrast to less safe disposal solutions, the collection containers no longer need to be removed from safety cabinets in order to be emptied by employees.

### Central disposal

Despite the large barrel capacity of up to 100 litres, the collection trolleys are easy to manoeuvre and can be pushed by employees to the central disposal station with little effort. The collection trolley is then simply placed in the WIBOjekt® emptying workstation. The old chemicals can now be safely pumped off and KTC containers can be filled with these. The integrated pollutant suctioning device in the WIBOjekt® emptying workstation offers reliable protection of persons and the environment against released emissions.



### Dosing, filling and emptying fresh media

Our innovative WIBOjekt® emptying stations can also be used for safely emptying fresh media from large storage modules into smaller containers. The containers are filled via the WIBOfill® dosing station. The filling head can be freely positioned and smoothly adjusted in terms of its height in accordance with the container size.

The WIBOfill® dosing station is characterised by an exact dosage of  $\pm 3\%$  (in terms of water at 21°C from 0.5 l). Operation can be carried out using a touch panel, if desired. The filling level of the disposal container is displayed here and user-related data can be called up via the display.

The WIBOjekt® emptying station also complies with ATEX and is available in an entirely plastic configuration (polypropylene), with particularly high resistance to caustic acids and alkaline solutions.

## Safe filling

Complete solutions for precise dosing of chemicals.

# The choice is yours.

Further products and special solutions from the WIBOjekt® range.



## WIBOjekt® pathology workstation

- Ideal for protection of persons and areas
- Low-noise and cost-effective
- Flexible solutions to various requirements

## WIBOjekt® pathology workstation

This safety workstation makes it possible to carry out cost-effective work in the pathology sector. Its clean air curtain reliably captures pollutants such as formaldehyde or Xylol and guides these into the discharge air. The subtle, yet targeted and draught-free air flow is designed in such a way that drying out of the tissue samples is prevented. Whether as a cutting workbench with working area and waste disposal or as a cleaning workstation with formalin drain - the WIBOjekt® pathology workbench can be supplied in the design that is individually suited to your needs.

## WIBOjekt® spray booth

When carrying out spray painting, paint particles fly past the workpiece. The WIBOjekt® painting cabin reliably intercepts these particles with the well-proven air flow control system and guides these to the suctioning device. The cyclone works in accordance with a special centrifugal force principle. Virtually all of the overspray found in the system and collected in the receptacle is absorbed. This means that both solvent-based and water soluble paints can be separated. By capturing the pure overspray, this avoids waste that is in particular need of monitoring, which reduces disposal costs.



## WIBOjekt® spray booth

- For all wet paint, adhesive, separating agents, etc.
- Optimal protection of persons and areas
- Problem-free cleaning thanks to its non-stick coating



## WIBOjekt® laboratory workstation

- Protection of persons and areas due to a stable clean air curtain
- Conforms with GMP and explosion-proof
- Customer-specific configurations

## WIBOjekt® laboratory workstation

The WIBOjekt® workbench in laboratory configuration is designed in compliance with GMP and is suitable for installation in a clean room. When handling pulverulent materials in the pharmaceutical laboratory, the WIBOjekt® clean air curtain guarantees safe protection of persons. The air flow control is designed in such a way that product removal is prevented during weighing. The individual device configuration allows laboratory equipment to be integrated into the working area without problems.

## WIBOjekt® free workstation

The freely accessible WIBOjekt® safety workstation protects employees and areas when it comes to carrying out work such as filling and emptying, weighing and loading and unloading large quantities. Released product dusts or gases are safely captured with the help of targeted air flows from ejector nozzles and guided to the suction device. The WIBOjekt® free workstation can also be fitted with discharge air filters in the back panel if required, and an explosion-proof model is also available.

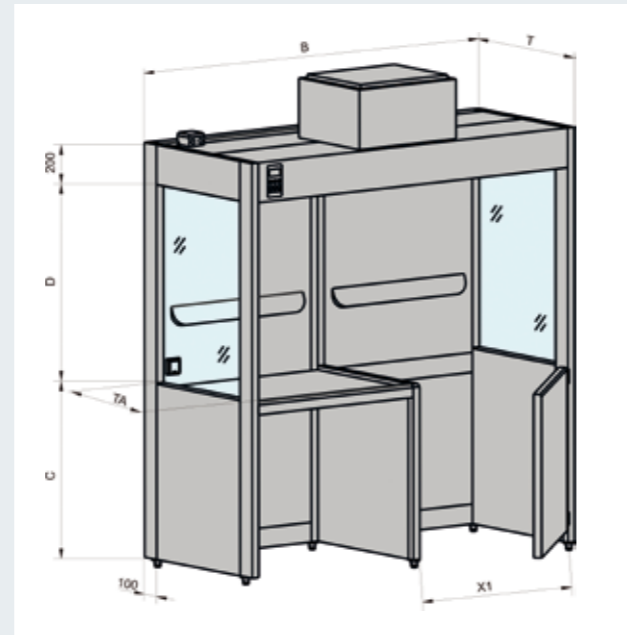
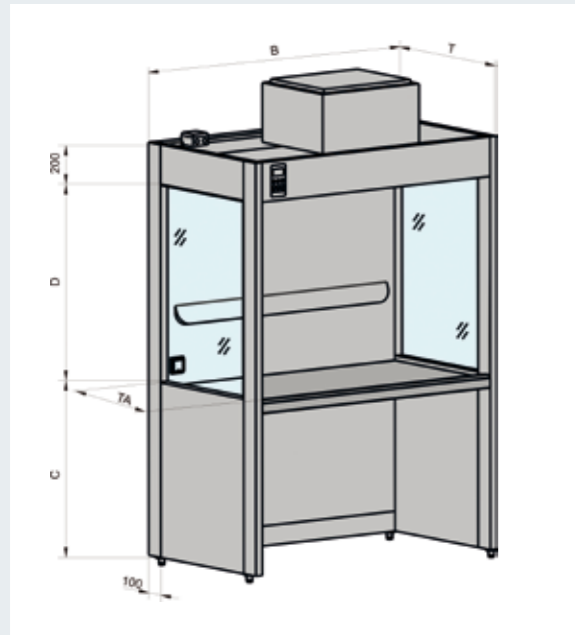


## WIBOjekt® free workstation

- Sound protection of persons and areas
- Freely accessible workstation
- Integration of existing systems possible

# Convincing efficiency.

Our technical data at a glance.



Type	Outer width	Outer depth	Working area height <sup>1</sup>	Working area depth	Total height	Height of clear internal dimension	Supports	Air quantity	Light	Power consumption <sup>3</sup>	Width of holder
	B mm	T mm	C mm	TA mm	H mm	D mm	Ø mm	m <sup>3</sup> /h	Watts	Watts	X1
TCRJO 100/98	1,000	985	900	845	2,100	1,000	250	600	2 x 18	200	–
TCRJO 125/98	1,250	985	900	845	2,100	1,000	250	750	2 x 18	200	800
TCRJO 150/98	1,500	985	900	845	2,100	1,000	250	900	2 x 36	250	800
TCRJO 175/98	1,750	985	900	845	2,100	1,000	315	1,050	2 x 36	250	800
TCRJO 200/98	2,000	985	900	845	2,100	1,000	315	1,200	2 x 36	250	800
TCRJO 225/98	2,250	985	900	845	2,100	1,000	315	1,350	2 x 58	250	800
TCRJO 250/98	2,500	985	900	845	2,100	1,000	315	1,500	2 x 58	250	800
TCRJO 275/98	2,750	985	900	845	2,100	1,000	400	1,650	2 x 58	250	800
TCRJO 300/98	3,000	985	900	845	2,100	1,000	400	1,800	2 x 58	250	800

<sup>1</sup>Working area height of seated workstation: 750 mm

<sup>2</sup>Total height of seated workstation: 1,950 mm

<sup>3</sup>Value of power consumption with configuration with no discharge air ventilator (deviations from standard dimensions possible following consultation)

**Configuration:** in stainless steel material 1.4301, 1.4571, 1.4404 or plastic.

Smooth working areas throughout: in stainless steel material, surface brushed smooth.

Special working areas possible in technical ceramics, plastic, glass, etc.

Optional: built-in components such as sinks, funnels, waste disposals, weighing stones, etc.

**Working area grates:** in a stainless steel perforated metal plate.

**Outlet trough:** below the working area grates or perforated metal plate.

Optional supplement with trough suctioning device, drainage supports, shut-off valve and siphon.

**Back wall filter systems:** WIBOjekt® workbenches can be equipped with various filtration technologies. The filters are integrated in compact form across the entire width of the back wall.

**The depth of the filter back wall:** 550 mm.

Cabinet filters, rotary filters or activated carbon filters are available.

**Sink inserts:** made entirely from stainless steel material, available in different widths and depths.

With optional hinged lid or flushing cover.

**Valves and utilities:** all desired utilities can be integrated in the assembly room.

The fittings are DVGW-approved and come with a patented plug connector.

**Power outlets:** power outlets in the back wall, 230 V, 50/60 Hz, user fuse.

Power outlets with 400 V, 50/60 Hz or CEE power outlets possible.



# Passionately innovative.

**We work in partnership to support companies in research, development, production and quality assurance. With 22 companies in 15 countries at 40 locations.**

**weisstechnik**

**Test it. Heat it. Cool it.**



## Environmental Simulation

The first choice for engineers and researchers for innovative, safe environmental simulation facilities. In fast motion, our test systems can simulate all the influences in the world as well as for instance in space. In temperature, climate, corrosion, dust or combined stress tests. With a very high degree of reproducibility and precision.



## Climate Technology, Air Dehumidification, Clean Rooms

As the leading provider of clean rooms, climate technology and air dehumidification, we consistently ensure optimal climatic conditions for people and machines. For industrial production processes, in hospitals, mobile operation tents or in the field of information and telecommunications technology. From project planning to implementation.



## Heat Technology

Experienced engineers and designers develop, plan and produce high-quality, reliable heat technology systems for a broad range of applications from heating and drying cabinets to microwave systems and industrial furnaces.



## Clean Air and Containment Systems

With decades of experience and know-how, we guarantee the most sophisticated clean air and containment solutions. Our comprehensive and innovative range of products includes barrier systems, laminar flow systems, safety workbenches, isolators and airlocks.

### Weiss Pharmatechnik GmbH

Georg-Bölts-Straße 2-8

26135 Oldenburg/Germany

T +49 441 57054-0

info.pharma@weiss-technik.com

www.weiss-technik.com



WPT E/3-02/052018